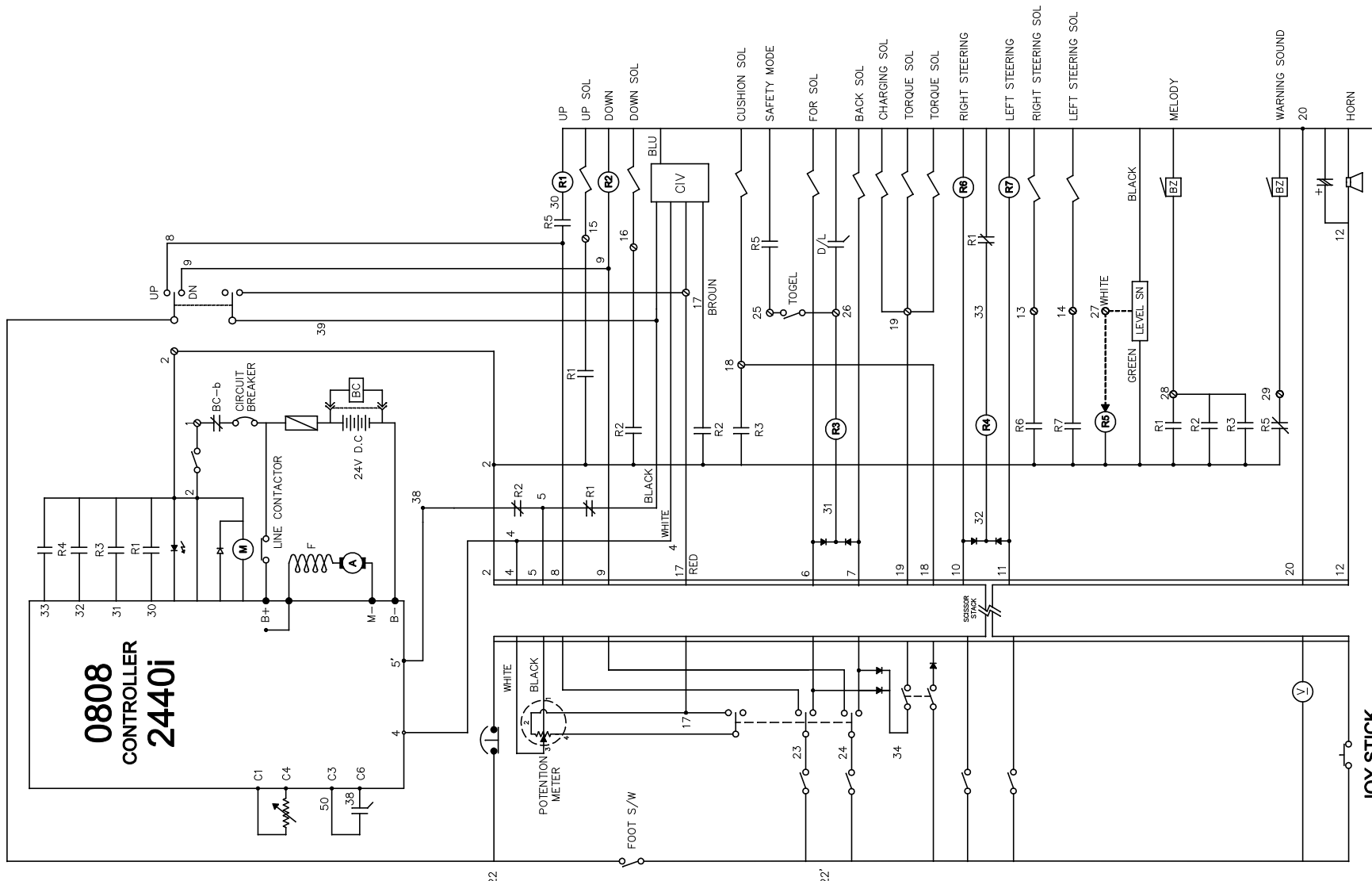


NO	DESCRIPTION	DIMENSION	MATERIAL	QTY	WEIGHT	REMARKS
----	-------------	-----------	----------	-----	--------	---------



ISS NO.	DATE	REASON	DESIGNED	CHECKED	APPROVED	REMARKS

재공용량의 일반공차 Welding Tolerances		
Dimension	ES	Under
40	Over 128	Under
125	Over 250	Under
250	Over 500	Under
500	Over 1000	Under
1000	Over 2000	Under
2000	Over 4000	Under
4000	Over 8000	Under

절삭가공의 일반공차 Machining Tolerances		
Dimension	TOL	
0.5	Over 3	Under
3	Over 6	Under
6	Over 30	Under
30	Over 120	Under
120	Over 316	Under
316	Over 1000	Under
1000	Over 2000	Under

3각법 3RD ANGLE PROJECTION	
척도 SCALE	N / S
단위 UNIT	mm
수정일 DATE	110124

수성
 www.soosung.com

품명 NAME	SCISSORS LIFT (SSL-0808)	
제도 DRAWN	설계 DESIGNED	M. S Kim
검도 CHECKED	승인 APPROVED	M. S Kim
도번 DRAW NO	WIRING DIAGRAM	
01 / 99	도면쪽수 SHEET	